

MSL-FN-561/1~150mW



SINGLE LONGITUDINAL MODE GREEN LASER AT 561nm

All solid state single longitudinal mode green laser at 561nm is made features of ultra compact, long lifetime, low cost and easy operating, which is used in DNA sequencing, flow cytometry, cell sorting, optical instrument, spectrum analysis, interference, measurement, holography, physics experiment, etc.



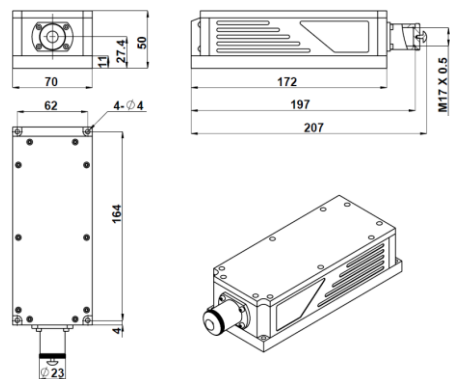
SPECIFICATIONS

Wavelength (nm)	561±1
Operating mode	CW
Output power (mW)	>1, 5, 10, 20, ... , 150
Power stability (rms, over 4 hours)	<1%, <2%, <3%, <5%
Transverse mode	TEM ₀₀
Longitudinal mode	Single
Spectral linewidth (nm)	<0.00001
Coherent length (m)	>50
Noise of amplitude (rms, 1Hz~20MHz)	<1%, typical<0.5%
M ² factor	<1.2
Beam diameter at the aperture (1/e ² , mm)	<2.0
Beam divergence, full angle (mrad)	<1.2
Polarization ratio	>100:1, Vertical±5 degree (Horizontal Optional)
Warm-up time (minutes)	<10
Pointing stability after warm-up (mrad)	<0.05
Beam height from base plate (mm)	27.4
Operating temperature (°C)	15~35
Power supply (90-264VAC)	PSU-H-FDA
Expected lifetime (hours)	10000
Warranty	1 year

Note: The laser head needs to be used on a heat sink with good heat dissipation.

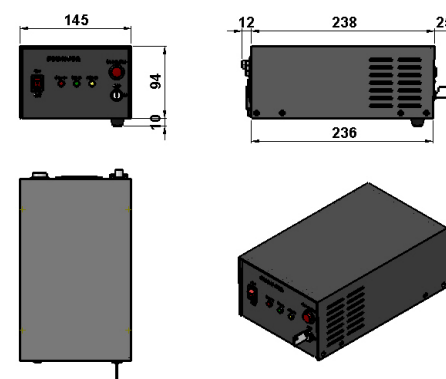


MSL-FN-561



197(L)×70(W)×50(H) mm³, 1.5 kg

PSU-H-FDA



275(L) ×145(W) ×104(H) mm³, 2.3 kg