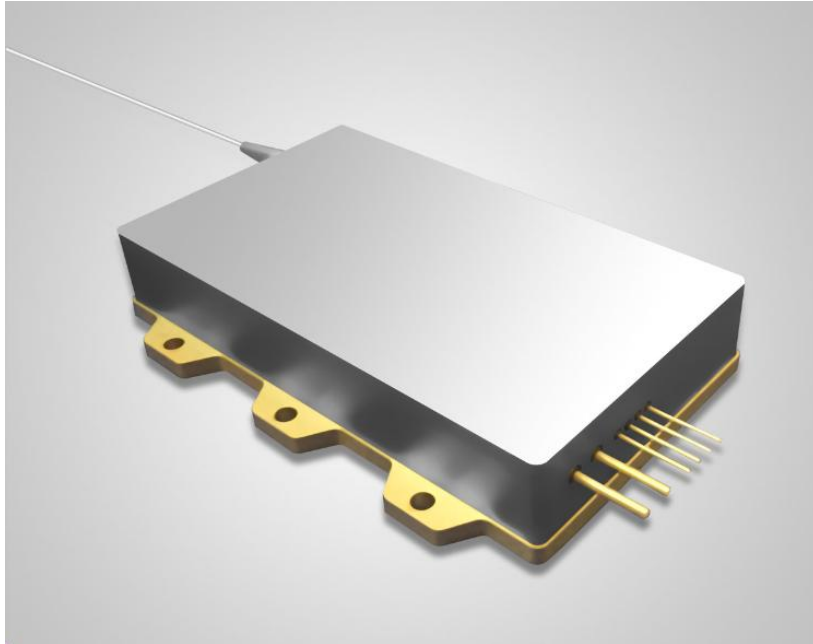


976nm 110W Wavelength-Stabilized High Brightness Fiber Coupled Diode Laser
K976AG1RN-110.0W



Features :

- ◆ 976nm wavelength
- ◆ 110W output power
- ◆ 105 μ m fiber core diameter
- ◆ 0.22N.A.
- ◆ Narrow bandwidth $\Delta\lambda \leq 1$ nm
- ◆ 1040nm-1200nm feedback protection

Applications:

- ◆ Fiber laser pumping

BWT Beijing's High Power Diode Laser Modules are manufactured by adopting specialized fiber-coupling techniques, resulting in volume products with a high efficiency, stability and superior beam quality. The products are achieved by transforming the asymmetric radiation from the laser diode chip into an output fiber with small core diameter by using special micro optics. Inspecting and burn-in procedures in every aspect come to a result to guarantee each product with the reliability, stability and long lifetime.

Our research staffs are constantly improving and innovating the processing technology in the producing process, based on the professional knowledge and experience accumulated in long-terms. We are also continuously developing new products to meet customers' specific needs.

At BWT Beijing, to provide high quality products with reasonable price is our always goal.

976nm 110W Wavelength-Stabilized High Brightness Fiber Coupled Diode Laser K976AG1RN-110.0W

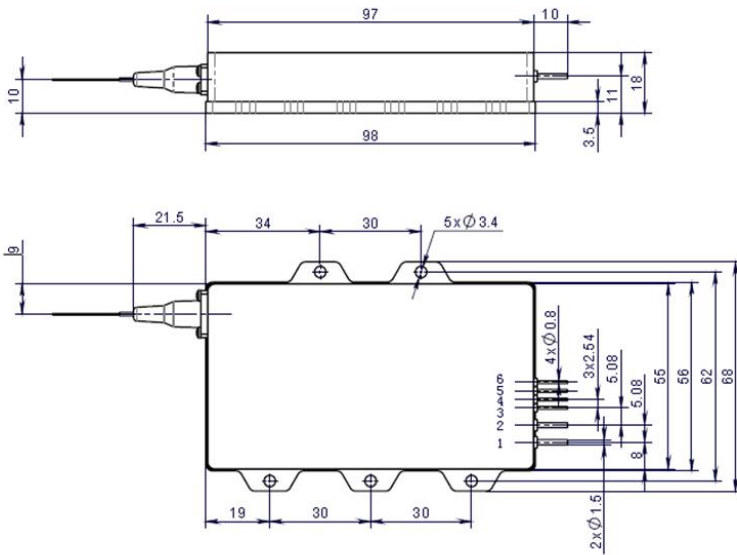
| | Specifications(25°C) | Symbol | Unit | K976AG1RN-110.0W | | |
|--------------------------------|-----------------------------------|------------------|---------------|------------------|---------|---------|
| | | | | Minimum | Typical | Maximum |
| Parameter⁽¹⁾ | CW Output Power | P_O | W | 110 | - | - |
| | Threshold current | I_{th} | A | - | 0.5 | - |
| | Operating current | I_{op} | A | - | - | 11 |
| | Operating voltage | V_{op} | V | - | - | 28 |
| | Reverse Voltage | V_{re} | V | - | 35 | - |
| | Slope Efficiency | η | W/A | - | 11 | - |
| | Electrical-to-Optical Efficiency | PE | % | - | 45 | - |
| | Center wavelength | λ_c | nm | 975 | 976 | 977 |
| | Spectral width(FWHM) | δ_λ | nm | - | - | 1 |
| | Back reflection wavelength Range | λ | nm | 1040 | - | 1200 |
| | Back reflection isolation | - | dB | - | 30 | - |
| | Wavelength Shift with Temperature | - | nm/°C | - | 0.02 | - |
| | Light within 0.15NA | NA | - | - | 95 | - |
| | Life Time | MTTF | hrs | - | 100000 | - |
| Fiber Date | Buffer diameter | D_{buf} | μm | - | 250 | - |
| | Cladding diameter | D_{clad} | μm | - | 125 | - |
| | Core diameter | D_{core} | μm | - | 105 | - |
| | Numeric aperture | NA | - | - | 0.22 | - |
| | Fiber length ⁽²⁾ | l_f | m | - | 1 | - |
| | Fiber Bend Radius | - | mm | 37.5 | - | - |
| Others | ESD | V_{esd} | V | - | - | 500 |
| | Storage temperature | T_{stg} | °C | -20 | - | 70 |
| | Lead Soldering Temp | T_{is} | °C | - | - | 260 |
| | Lead Soldering Time | t | sec | - | - | 10 |
| | Operating case temperature | T_{op} | °C | 25 | - | 30 |
| | Relative Humidity | RH | % | 15 | - | 75 |

(1) Data measured under operation output at 110W.

(2) Other fibers available upon request.

976nm 110W Wavelength-Stabilized High Brightness Fiber Coupled Diode Laser K976AG1RN-110.0W

Package Dimensions (mm)



| Pins | Function |
|------|-------------|
| 1 | LD (+) |
| 2 | LD (-) |
| 3 | Thermistor* |
| 4 | Thermistor* |
| 5 | PD (N) * |
| 6 | PD (P) * |

*: Optional function.

OPERATING NOTES

- ◆ Avoid eye exposure to direct or scattered radiation.
- ◆ ESD precautions must be taken.
- ◆ Please connect pins to wires by solder instead of using socket when operation current is higher than 6A.
- ◆ Soldering point should be close to the root of the pins. Soldering temperature should be lower than 260°C and time shorter than 10 second.
- ◆ Use constant current power supply. Avoid surge current.
- ◆ Laser diode must be used according to the specifications.
- ◆ Laser diode must work with good cooling.
- ◆ Operation temperature is 25°C~ 30°C.
- ◆ Storage: -20°C~ +70°C, all pins short-circuit.



Declaration: information and specifications contained herein are deemed to be reliable and accurate. BWT Beijing reserves the right to change, alter or modify the design and specifications of these products at any time without notice.