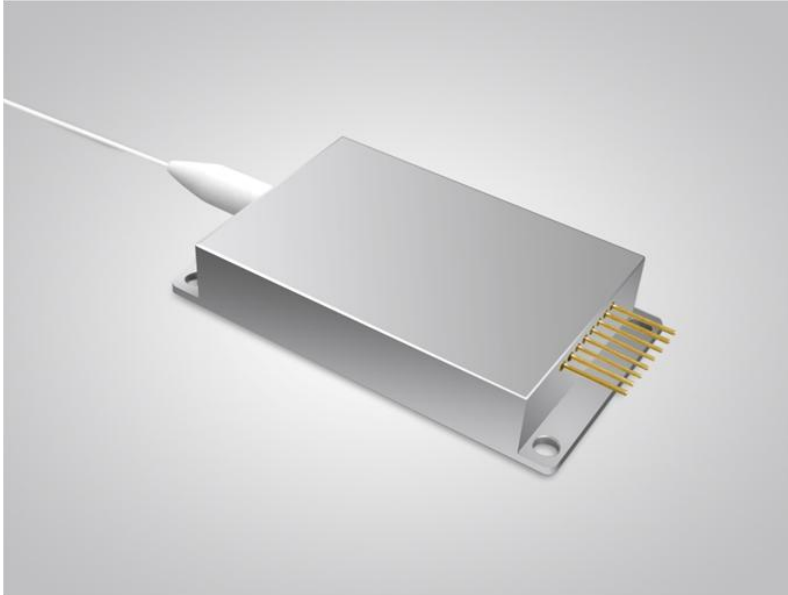


635nm 5W Fiber Coupled Diode Laser

K635EWDFN-5.000W



Features:

- ◆ 635nm wavelength
- ◆ 5W output power
- ◆ Standard fiber coupling for 105 μ m core diameter
- ◆ 0.22N.A.

Applications:

- ◆ Display
- ◆ Biochemical analysis
- ◆ Scientific research
- ◆ Medical use

BWT Beijing's high power diode laser modules are manufactured by adopting specialized fiber-coupling techniques, resulting in volume products with a high efficiency, stability and superior beam quality. The products are achieved by transforming the asymmetric radiation from the laser diode chip into an output fiber with small core diameter by using special micro optics. Inspecting and burn-in procedures in every aspect come to a result to guarantee each product with the reliability, stability and long lifetime.

Our research staffs are constantly improving and innovating the processing technology in the producing process, based on the professional knowledge and experience accumulated in long-terms. We are also continuously developing new products to meet customers' specific needs.

At BWT Beijing, to provide high quality products with reasonable price is our always goal.

635nm 5W Fiber Coupled Diode Laser

K635EWDFN-5.000W

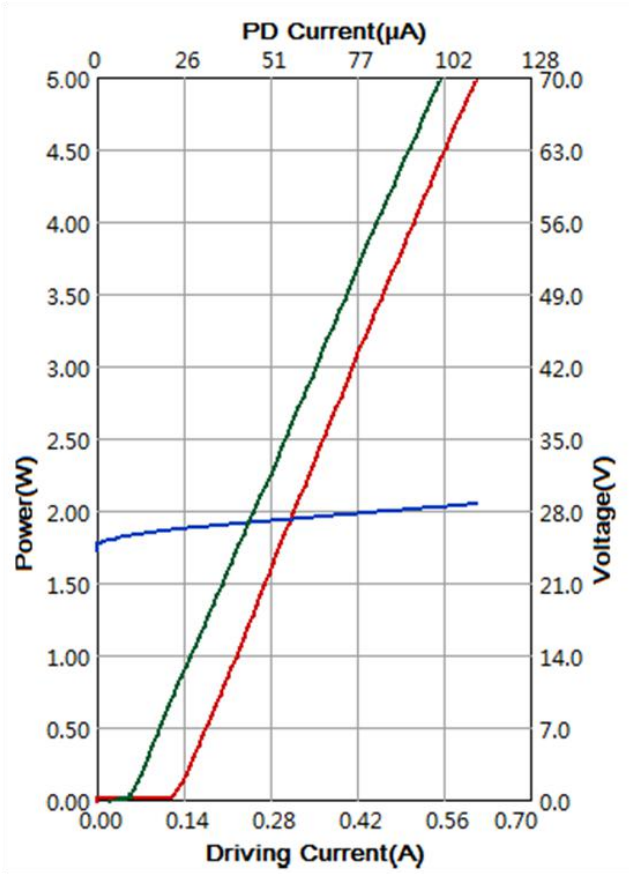
Specifications (25°C)		Symbol	Unit	K635EWDFN-5.000W		
				Minimum	Typical	Maximum
Parameter⁽¹⁾	CW Output Power	P_O	W	5	-	-
	Threshold current	I_{th}	A	-	0.13	-
	Operating current	I_{op}	A	-	-	0.8
	Operating voltage	V_{op}	V	-	-	30
	Reverse Voltage	V_{re}	V	-	32.5	-
	Slope Efficiency	η	W/A	-	9	-
	Electrical-to-Optical Efficiency	PE	%	25	-	-
	Center wavelength	λ_c	nm	630	-	650
	Spectral width(FWHM)	$\Delta\lambda$	nm	-	3	-
	Wavelength Shift with Temperature	-	nm/°C	-	0.3	-
	Life Time	MTTF	H	-	100000	-
Fiber Data	Buffer diameter	D_{buf}	μm	-	250	-
	Cladding diameter	D_{clad}	μm	-	125	-
	Core diameter	D_{core}	μm	-	105	-
	Numeric aperture	NA	NA	-	0.22	-
	Fiber length	l_c	m	-	0.7	-
PD Data	Current	I_{mo}	μA	50	-	500
Others	ESD	-	V	-	-	500
	Storage temperature	-	°C	-20	-	70
	Lead Soldering Temp	T_{is}	°C	-	-	260
	Lead Soldering Time	T_{is}	sec	-	-	10
	Operating case temperature	T_{op}	°C	15	-	35
	Relative Humidity	-	%	15	-	75

(1) Data measured under operation output at 5W.

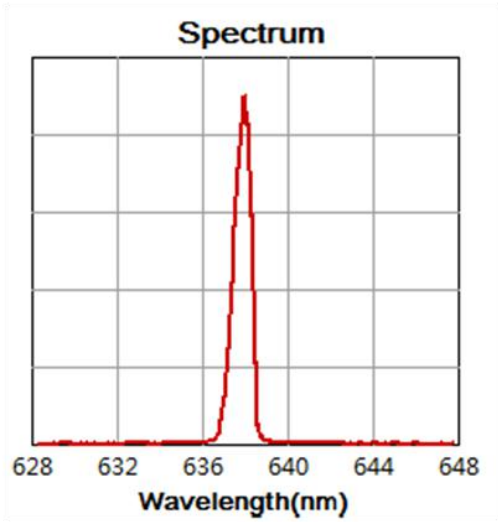
635nm 5W Fiber Coupled Diode Laser

K635EWDFN-5.000W

Characteristics



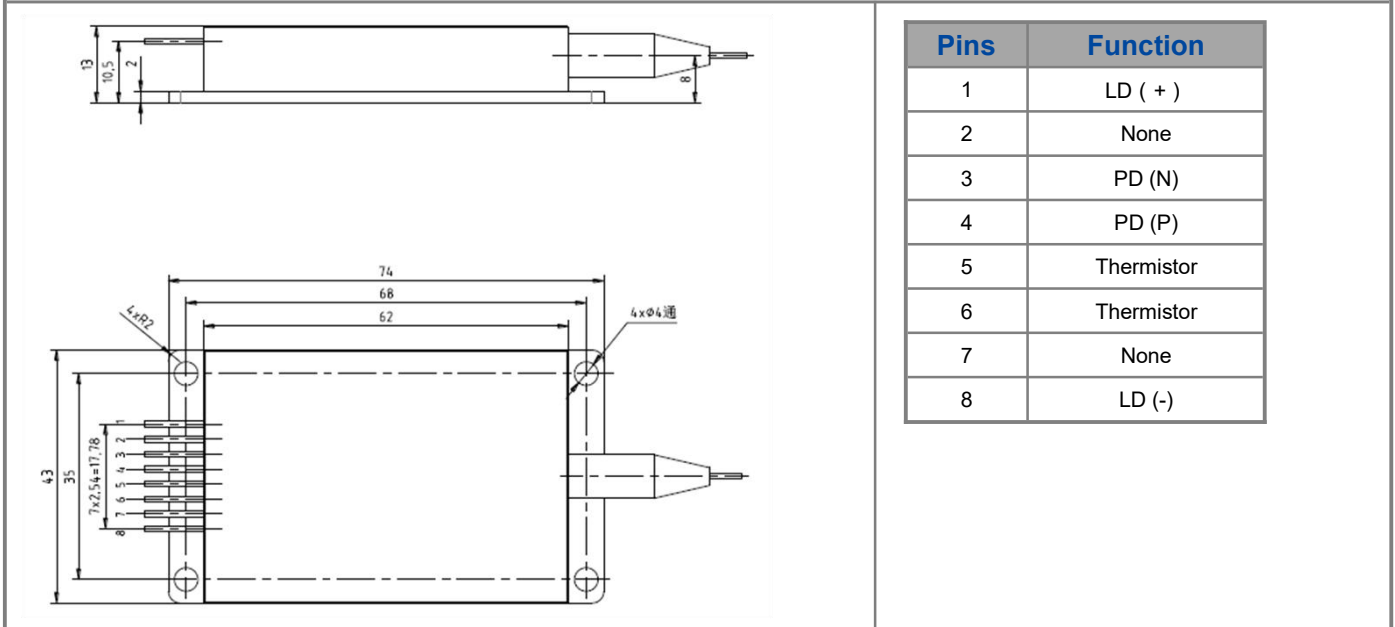
Typ. spectrum(T=25°C)



635nm 5W Fiber Coupled Diode Laser

K635EWDFN-5.000W

Package Dimensions (mm)



OPERATING NOTES

- ◆ Avoid eye exposure to direct or scattered radiation.
- ◆ ESD precautions must be taken.
- ◆ Please connect pins to wires by solder instead of using socket when operation current is higher than 6A.
- ◆ Soldering point should be close to the root of the pins. Soldering temperature should be lower than 260°C and time shorter than 10 second.
- ◆ Use constant current power supply. Avoid surge current.
- ◆ Laser diode must be used according to the specifications.
- ◆ Laser diode must work with good cooling.
- ◆ A minimum bend radius should be 300 times greater than the fiber cladding diameter.
- ◆ Operation temperature is 15°C~ 35°C.
- ◆ Storage: -20°C~ +70°C, all pins short-circuit.



Declaration: information and specifications contained herein are deemed to be reliable and accurate. BWT Beijing reserves the right to change, alter or modify the design and specifications of these products at any time without notice.