

AO-V-355 /1~100μJ/1~2W



### LD PUMPED ALL-SOLID-STATE AOM Q-SWITCHED LASER at 355NM

All solid state AOM Q-switched laser at 355 nm has the features of high peak power, high repetition rate, and short pulse duration, which is used in scientific research, biology, instrumentation, 3D marking, laser marking, sub-surface engraving and so on.

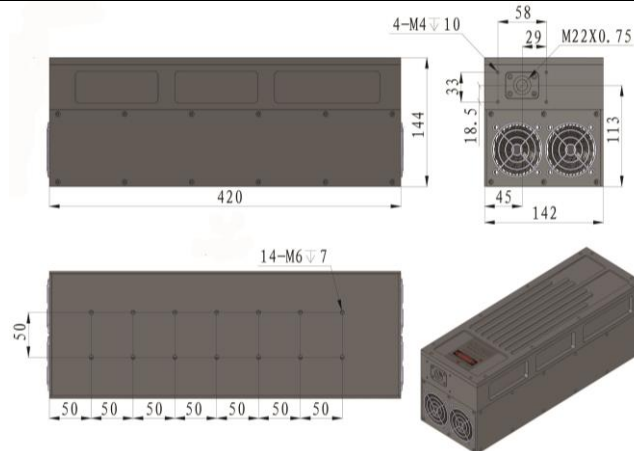


#### SPECIFICATIONS

|   |   |
|---|---|
| Wavelength (nm)                                       | 355±1   |
| Operating mode  | Acousto-Optics Q-switched   |
| Average power (W)                                     | 1~2W (2W@20kHz)<br>Average power (W) = Single pulse energy (mJ) * Rep. rate (kHz) |
| Single pulse energy (μJ)                              | 1~100μJ<br>(100μJ @20kHz; 50μJ @40kHz)  |
| Rep. rate (kHz)                                       | 10~100  |
| Pulse width (ns)                                      | Typically ~15 @20kHz  |
| Peak power (kW)                                       | 1~6 (6kW@20kHz)   |
| Ave power stability                                   | <3%, <5%  |
| Warm-up time (minutes)                                | <10   |
| Beam divergence, full angle (mrad)                    | <2.0  |
| Beam diameter at the aperture (1/e <sup>2</sup> , mm) | <1.5  |
| Beam height from base plate (mm)                      | 113   |
| Polarization ratio and Direction                      | >100:1, Horizontal  |
| Cooled method   | Air cooled  |
| Operating temperature (°C)                            | 15~30   |
| Power supply (220/110VAC)                             | PSU-AOM(3U)   |
| Expected lifetime (hours)                             | 5000  |
| Warranty period                                       | 1 year  |



AO-V-355



PSU-AOM(3U)

