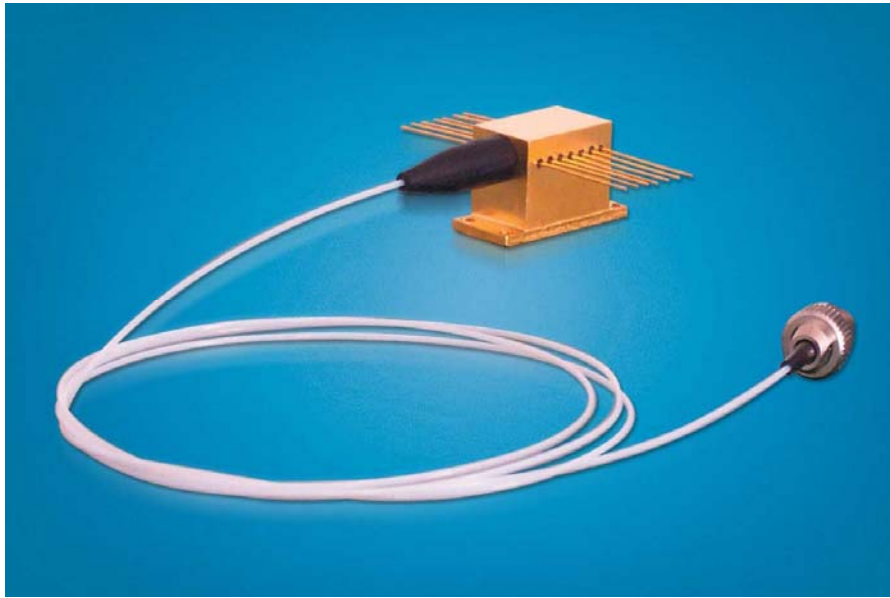


980nm Butterfly Package Fiber-Coupled CW Module

K98S14F-2.00W



Key Features:

- ◆ 2W output power
- ◆ 100 μ m fiber core diameter
- ◆ 0.22NA
- ◆ 980nm wavelength

Applications:

- ◆ Laser pumping
- ◆ Medical usage
- ◆ Printing
- ◆ Heating
- ◆ Material processing
- ◆ Marking

BWT Beijing's High Power Diode Laser Modules are manufactured by adopting specialized fiber-coupling techniques, resulting in volume products with a high efficiency, stability and superior beam quality. The products are achieved by transforming the asymmetric radiation from the laser diode chip into an output fiber with small core diameter by using special micro optics. Inspecting and burn-in procedures in every aspect come to a result to guarantee each product with the reliability, stability and long lifetime.

Our research staffs are constantly improving and innovating the processing technology in the producing process, based on the professional knowledge and experience accumulated in long-terms. We are also continuously developing new products to meet customers' specific needs.

At BWT Beijing, to provide high quality products with reasonable price is our always goal.

980nm Butterfly Package Fiber-Coupled CW Module

K98S14F-2.00W

Specifications (25°C)		Symbol	Unit	K98S14F-2.00W
Optical data	CW-output power	P_o	W	2
	Center wavelength	λ_c	nm	980
	Tolerance of λ	-	nm	$\pm 3, \pm 5, \pm 10$
	Spectral width (FWHM)	$\Delta\lambda$	nm	<3
	Temperature drift of λ	-	nm/°C	~0.3
Fiber data ¹	Fiber core diameter	W_c	μm	100
	Numerical aperture	NA	-	0.22
	Fiber connector	-	-	FC, ST, SMA-905
Electrical data	Operation current	I_{op}	A	3.0
	Threshold current	I_{th}	A	0.3
	Conversion efficiency ²	η	%	45
	Slope efficiency ³	η_D	W/A	0.9
	Operation voltage	V_{op}	V	1.6
	Reverse voltage	V_{re}	V	2
PD data	Current	I_{mo}	mA	0.2~1.0
TEC data	Max. current	I_t	A	2
	Max. voltage	V_t	V	3.8
Thermistor data ⁴	Thermistor	R_t	(K Ω)/ $\beta(25^\circ\text{C})$	$10 \pm 5\%/3477$
Other specifications	Operation temperature	T_{op}	°C	10~30
	Storage temperature	T_{st}	°C	-20~80
	Expected lifetime	MTBF	h	>10,000
	Dimensions (fiber and connector not included)	-	mm	~30×13×17
	Weight	-	g	~33
	Lead soldering temperature	T_{is}	°C	260(10 sec.)

1. Other fibers available for OEM applications. Contact BWT Beijing.

2. $\eta = P_o / (I_{op} V_{op})$.

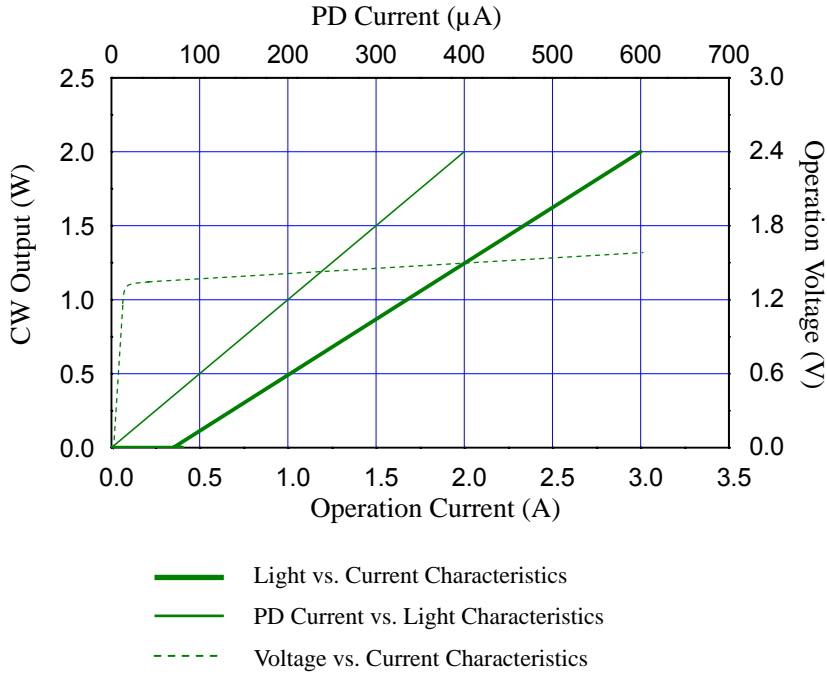
3. $\eta_D = P_o / (I_{op} - I_{th})$.

4. $R_t = R_0 \cdot \exp(\beta(1/T - 1/T_0))$, ($T_0 = 25^\circ\text{C} = 298\text{K}$).

980nm Butterfly Package Fiber-Coupled CW Module

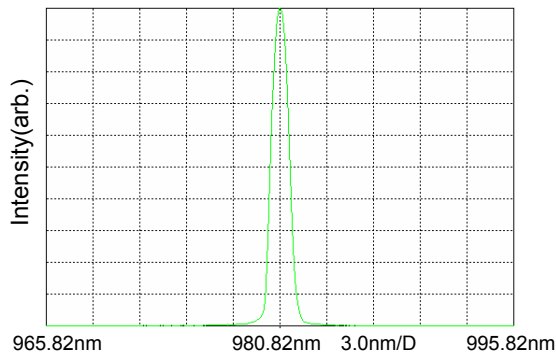
K98S14F-2.00W

LD Characteristics



Typ. spectrum (T=25°C)

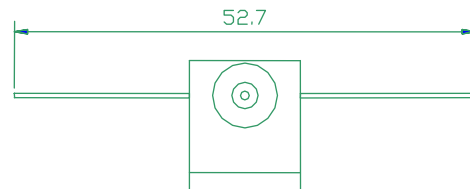
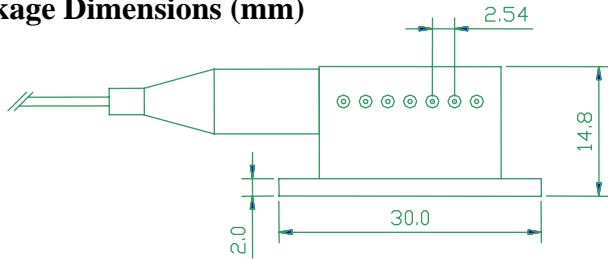
Typ. spectrum of 980nm diode laser modules



980nm Butterfly Package Fiber-Coupled CW Module

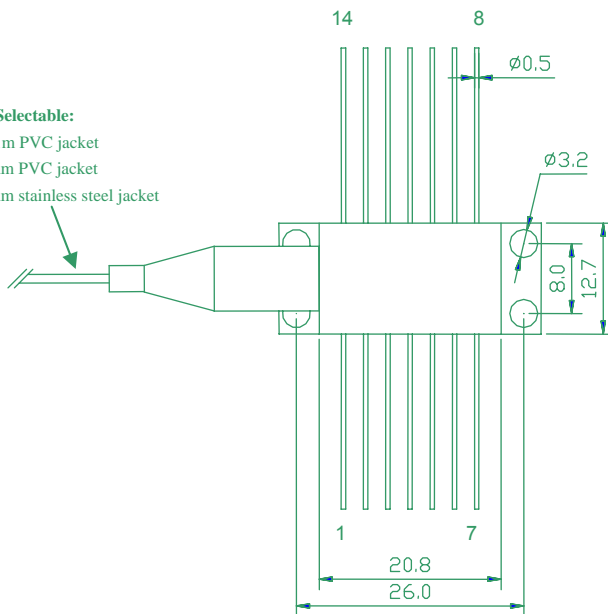
K98S14F-2.00W

Package Dimensions (mm)



Customer Selectable:

- 900 μ m PVC jacket
- 3.0mm PVC jacket
- 2.1mm stainless steel jacket



Pin	Function	Pin	Function
1	TEC (+)	8	None
2	Thermistor(1)	9	None
3	PD (P)	10	Laser Anode (+)
4	PD (N)	11	Laser Cathode (-)
5	Thermistor(2)	12	None
6	None	13	Case
7	None	14	TEC (-)

OPERATING NOTES

- Avoid eye exposure to direct or scattered radiation when the device is in operation.
- ESD precautions must be taken when handling unit.
- Using constant power supplies to guarantee the component works under the limits of its maximum peak optical power.
- The laser diode must be used under the specifications.
- Unit requires a condition to spread the heat as well as possible.
- Keep the fiber end clean before use. Fiber is not allowed to be curved so much. The diameter of curvature should be 300 times greater than fiber diameter.
- Environment temperature is 10°C--30°C.
- Storage temperature is -20°C--80°C, short circuit store.



VISIBLE AND/OR INVISIBLE LASER RADIATION
 AVOID EYE OR SKIN EXPOSURE TO DIRECTOR
 SCATTERED RADIATION
 MAXIMUM OUTPUT IS DEPENDANT UPON AND LESS THAN
 INPUT RADIATION EMITTED WAVELENGTH DEPENDS UPON
 FILTER SETTING
 CLASS IV LASER PRODUCT



Information and specifications contained herein are deemed to be reliable and accurate. BWT Beijing reserves the right to change, alter or modify the design and specifications of these products at any time with out notice.