

MLL-N-457/1~2W



LD PUMPED ALL-SOLID-STATE LOW NOISE BLUE LASER

All solid state low noise 457 nm blue laser is made features of ultra compact, long lifetime and easy operating, which is widely used in collimation, laser medical treatment, scientific experiment, optical instrument, laser display, laser lighting show, etc.

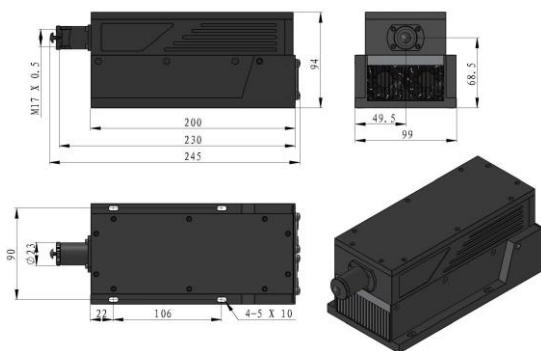


SPECIFICATIONS

Model	MLL-N-457A (Good beam)	MLL-N-457B (Normal Product)
Wavelength (nm)	457±1	
Operating mode	CW	
Output power (W)	>1, 1.2,..., 1.5	>1, 1.5,..., 2
Power stability (rms, over 4 hours)	<1%, <2%, <3%, <5%	
Transverse mode	TEM ₀₀	Near TEM ₀₁
Noise of amplitude (rms, 1~20MHz)	<1%, <3%	
M ² factor	<1.5	
Beam divergence, full angle (mrad)	<1.2	
Beam diameter at the aperture (1/e ² ,mm)	~2.0	~3.0
Warm-up time (minutes)	<10	
Polarization ratio	>100:1	
Beam height from base plate (mm)	68.5	
Operating temperature (°C)	20~30	10~35
Power supply (90-264VAC)	PSU-H-LED/ PSU-H-FDA	PSU-H-LED/ PSU-H-FDA
TTL / Analog modulation	TTL or Analog with 1Hz-1kHz 1kHz-10kHz, 10kHz-30kHz optional	
Expected lifetime (hours)	10000	
Warranty period	1 year	



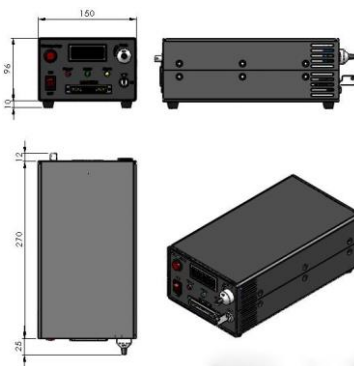
MxL-N-457



245 (L) × 99 (W) × 94 (H) mm³, 2.6 kg

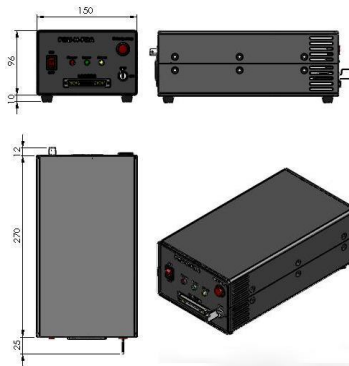
MLL-N-457A

PSU-H-LED



307 (L) × 150 (W) × 106 (H) mm³, 2.9 kg

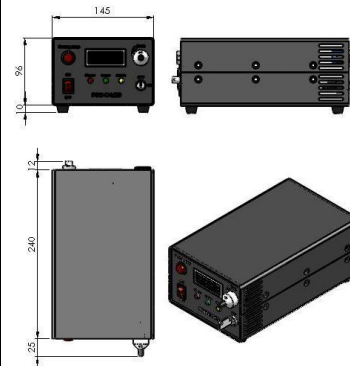
PSU-H-FDA



307 (L) × 150 (W) × 106 (H) mm³, 2.9 kg

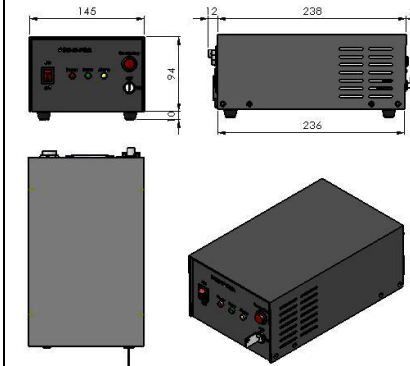
MLL-N-457B

PSU-H-LED



277 (L) × 145 (W) × 106 (H) mm³, 2.6 kg

PSU-H-FDA



275 (L) × 145 (W) × 104 (H) mm³, 2.4 kg