

808nm HHL Package Fiber-Coupled CW Module

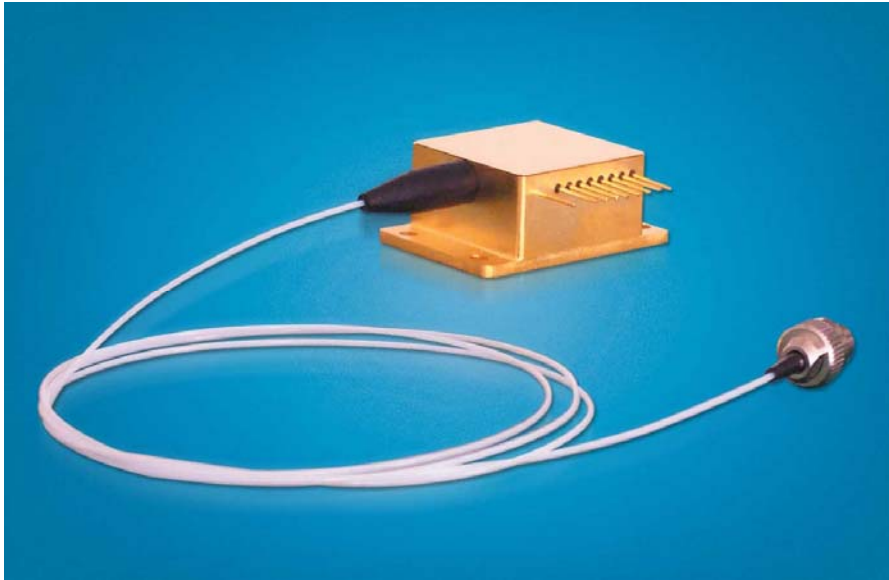
K81S09F-2.00W

K81S09F-3.00W

K81S09F-4.00W

K81S09F-5.00W

K81S09F-7.50W



Key Features:

- ◆ 2-7.5W output power
- ◆ 100 μ m, 200 μ m or 400 μ m fiber core diameter
- ◆ 0.22NA
- ◆ 808nm wavelength

Applications:

- ◆ Laser pumping
- ◆ Medical use
- ◆ Printing
- ◆ Heating
- ◆ Material processing
- ◆ Marking

BWT Beijing's High Power Diode Laser Modules are manufactured by adopting specialized fiber-coupling techniques, resulting in volume products with a high efficiency, stability and superior beam quality. The products are achieved by transforming the asymmetric radiation from the laser diode chip into an output fiber with small core diameter by using special micro optics. Inspecting and burn-in procedures in every aspect come to a result to guarantee each product with the reliability, stability and long lifetime.

Our research staffs are constantly improving and innovating the processing technology in the producing process, based on the professional knowledge and experience accumulated in long-terms. We are also continuously developing new products to meet customers' specific needs.

At BWT Beijing, to provide high quality products with reasonable price is our always goal.

808nm HHL Package Fiber-Coupled CW Module

K81S09F-2.00W K81S09F-3.00W K81S09F-4.00W K81S09F-5.00W K81S09F-7.50W

Specifications (25°C)		Symbol	Unit	K81S09F -2.00W	K81S09F -3.00W	K81S09F -4.00W	K81S09F -5.00W	K81S09F -7.50W
Optical data	CW-output power	P_o	W	2	3	4	5	7.5
	Center wavelength	λ_c	nm	808				
	Tolerance of λ	-	nm	$\pm 3, \pm 5, \pm 10$				
	Spectral width (FWHM)	$\Delta\lambda$	nm	<3				
	Temperature drift of λ	-	nm/°C	~0.3				
Fiber data ¹	Fiber core diameter	W_c	μm	100/200	100/200	100/200	100/200	200/400
	Numerical aperture	NA	-	0.22				
	Fiber connector	-	-	FC, ST, SMA-905				
Electrical data	Operation current	I_{op}	A	2.5	4.2	5.3	6.5	10.0
	Threshold current	I_{th}	A	0.4	0.6	0.6	0.6	1.5
	Conversion efficiency ²	η	%	35~45				
	Slope efficiency ³	η_D	W/A	0.7~1.0				
	Operation voltage	V_{op}	V	1.9	2.0	2.1	2.1	2.2
	Reverse voltage	V_{re}	V	2				
PD data	Current	I_{mo}	mA	0.20~1.50				
TEC data	Max. current	I_t	A	4.0				
	Max. voltage	V_t	V	9.8				
Thermistor data ⁴	Thermistor	R_t	(K Ω)/ β (25°C)	10 \pm 5%/3477				
Other specifications	Operation temperature	T_{op}	°C	10~30				
	Storage temperature	T_{st}	°C	-20~80				
	Expected lifetime	MTBF	h	>10,000				
	Dimensions (fiber and connector not included)	-	mm	~45 \times 32 \times 16				
	Weight	-	g	~70				
	Leadsoldering temperature	T_{is}	°C	260(10 sec.)				

1. Other fibers available for OEM applications. Contact BWT Beijing.

2. $\eta = P_o / (I_{op} V_{op})$.

3. $\eta_D = P_o / (I_{op} - I_{th})$.

4. $R_t = R_0 \cdot \exp(\beta(1/T - 1/T_0))$, ($T_0 = 25^\circ\text{C} = 298\text{K}$).

808nm HHL Package Fiber-Coupled CW Module

K81S09F-2.00W

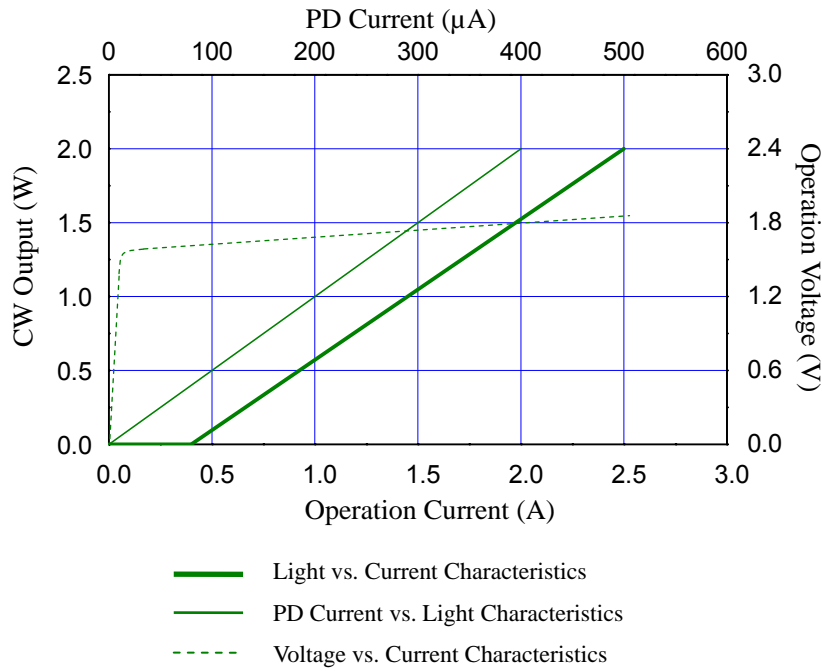
K81S09F-3.00W

K81S09F-4.00W

K81S09F-5.00W

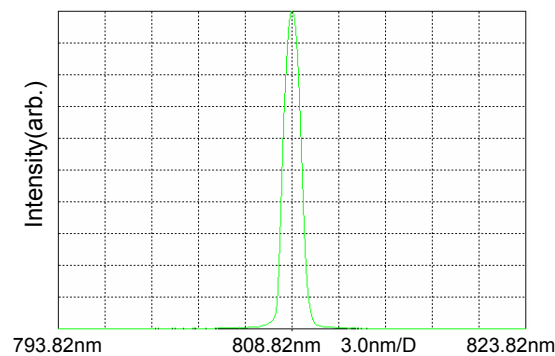
K81S09F-7.50W

LD Characteristics



Typ. spectrum (T=25°C)

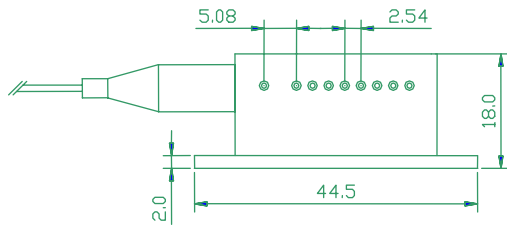
Typ. spectrum of 808nm diode laser modules



808nm HHL Package Fiber-Coupled CW Module

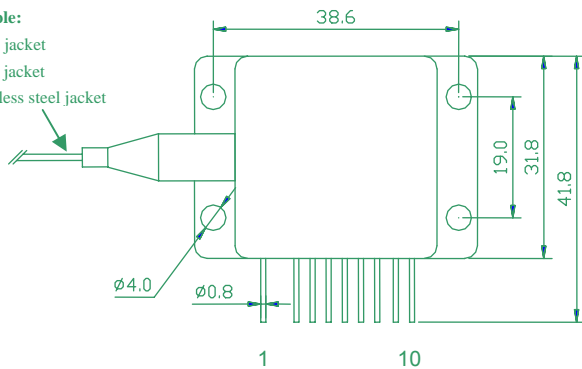
K81S09F-2.00W K81S09F-3.00W K81S09F-4.00W K81S09F-5.00W K81S09F-7.50W

Package Dimensions (mm)



Customer Selectable:

- 900μm PVC jacket
- 3.0mm PVC jacket
- 2.1mm stainless steel jacket



Pin	Function	Pin	Function
1	TEC (-)	6	Thermistor(2)
2	None	7	Laser Cathode (-)
3	Case	8	PD (P)
4	Laser Anode (+)	9	PD (N)
5	Thermistor(1)	10	TEC (+)

OPERATING NOTES

- Avoid eye exposure to direct or scattered radiation when the device is in operation.
- ESD precautions must be taken when handling unit.
- Using constant power supplies to guarantee the component works under the limits of its maximum peak optical power.
- The laser diode must be used under the specifications.
- Unit requires a condition to spread the heat as well as possible.
- Keep the fiber end clean before use. Fiber is not allowed to be curved so much. The diameter of curvature should be 300 times greater than fiber diameter.
- Environment temperature is 10°C--30°C.
- Storage temperature is -20°C--80°C, short circuit store.



VISIBLE AND/OR INVISIBLE LASER RADIATION
AVOID EYE OR SKIN EXPOSURE TO DIRECTOR
SCATTERED RADIATION
MAXIMUM OUTPUT IS DEPENDANT UPON AND LESS THAN
INPUT RADIATION EMITTED WAVELENGTH DEPENDS UPON
FILTER SETTING
CLASS IV LASER PRODUCT



Information and specifications contained herein are deemed to be reliable and accurate. BWT Beijing reserves the right to change, alter or modify the design and specifications of these products at any time with out notice.